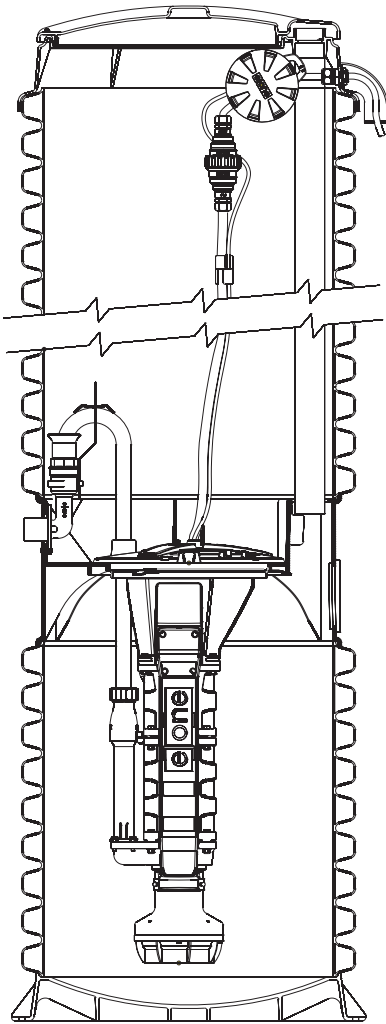


DH071/DR071



General Features

The model DH071 or DR071 grinder pump station is a complete unit that includes: the grinder pump, check valve, HDPE (high density polyethylene) tank, controls, and alarm panel. A single DH071 or DR071 is a popular choice for one, average single-family home and can also be used for up to two average single-family homes where codes allow and with consent of the factory.

- Rated for flows of 700 gpd (2650 lpd)
- 70 gallons (265 liters) of capacity
- Indoor or outdoor installation
- Standard outdoor heights range from 61 inches to 160 inches

The DH071 is the “hardwired,” or “wired,” model where a cable connects the motor controls to the level controls through watertight penetrations.

The DR071 is the “radio frequency identification” (RFID), or “wireless,” model that uses wireless technology to communicate between the level controls and the motor controls.

Operational Information

Motor

1 hp, 1,725 rpm, high torque, capacitor start, thermally protected, 120/240V, 60 Hz, 1 phase

Inlet Connections

4-inch inlet grommet standard for DWV pipe. Other inlet configurations available from the factory.

Discharge Connections

Pump discharge terminates in 1.25-inch NPT female thread. Can easily be adapted to 1.25-inch PVC pipe or any other material required by local codes.

Discharge

15 gpm at 0 psig (0.95 lps at 0 m)
11 gpm at 40 psig (0.69 lps at 28 m)
7.8 gpm at 80 psig (0.49 lps at 56 m)

Accessories

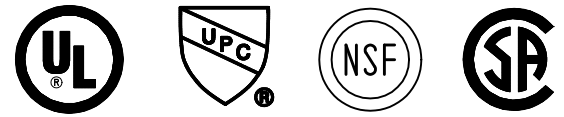
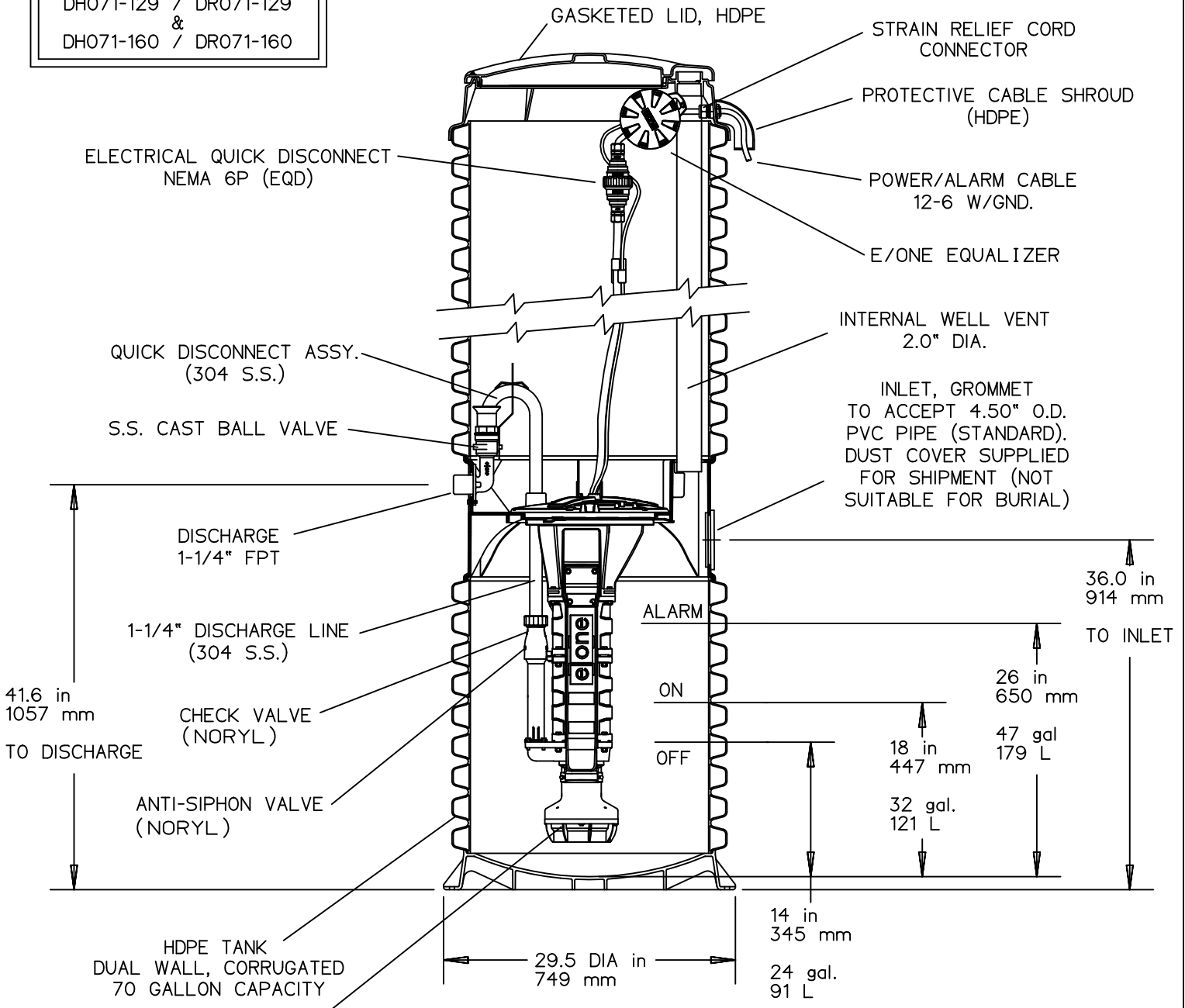
E/One requires that the Uni-Lateral, E/One’s own stainless steel check valve, be installed between the grinder pump station and the street main for added protection against backflow.

Alarm panels are available with a variety of options, from basic monitoring to advanced notice of service requirements.

The Remote Sentry is ideal for installations where the alarm panel may be hidden from view.

OPTIONS : **DH071** (HARD WIRED LEVEL CONTROLS)
 DR071 (WIRELESS LEVEL CONTROLS)

FIELD JOINT REQUIRED FOR MODELS
 DH071-129 / DR071-129
 &
 DH071-160 / DR071-160

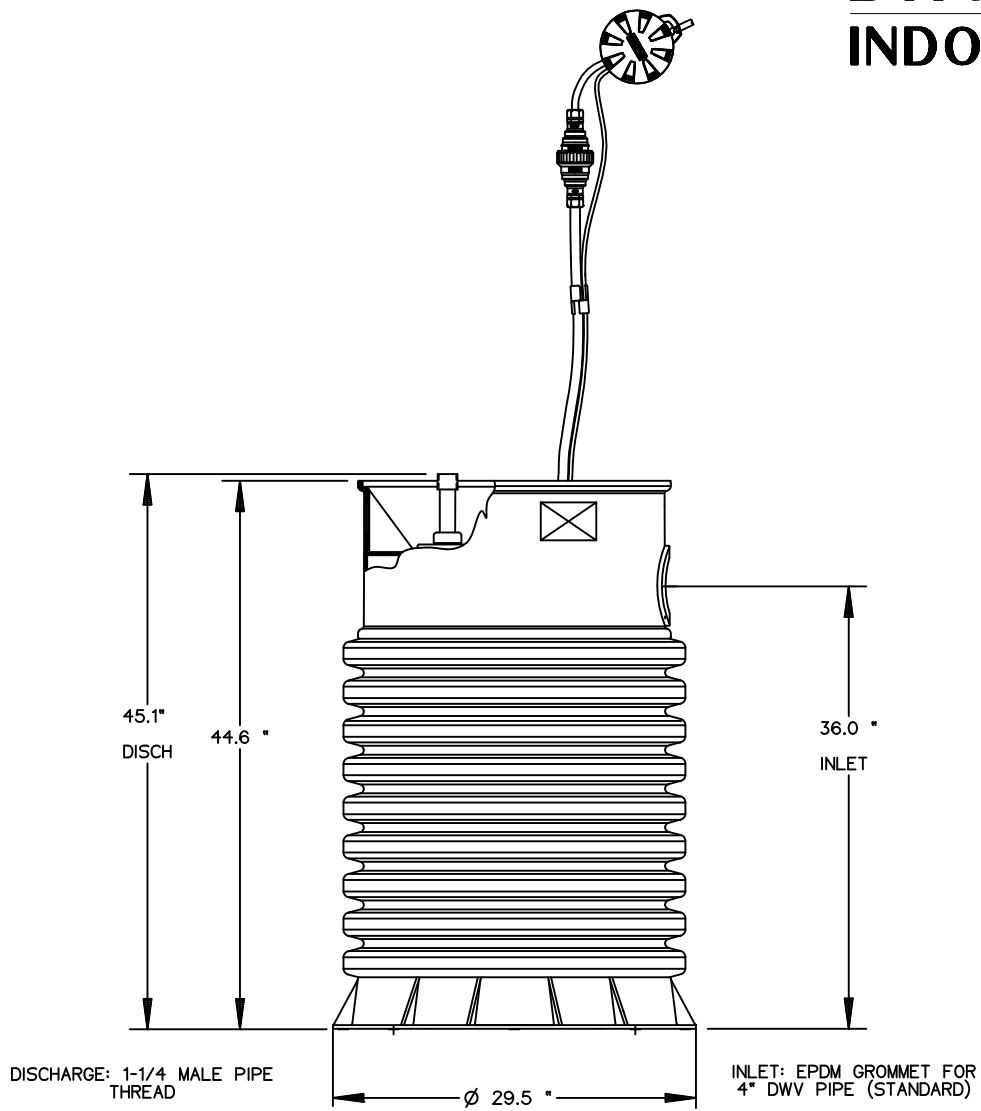


CONCRETE BALLAST MAY BE REQUIRED
 SEE INSTALLATION INSTRUCTION
 FOR DETAILS

NOTE: DIMENSIONS ARE FOR REF ONLY

AD	CH	10/20/10	E	
DR BY	CHK'D	DATE	ISSUE	SCALE
MODEL DH071 / DR071 DETAIL SHEET				
NA0050P02				

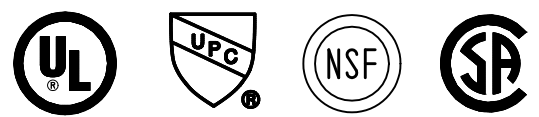
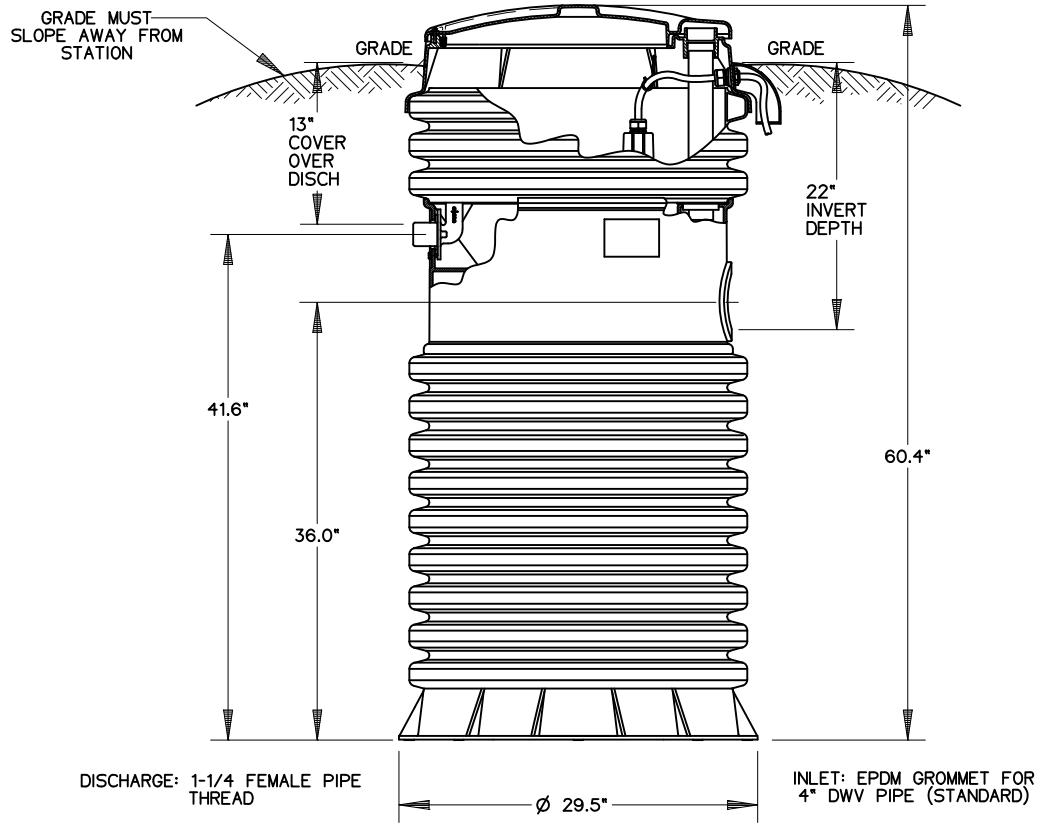
DH071-44 INDOOR UNIT



NOTE: DIMENSIONS ARE FOR REF ONLY

LNT	GAE	04/24/07	B	
DR BY	CHK'D	DATE	ISSUE	SCALE
MODEL DH071-44				
NA0050P03				

OPTIONS : **DH071-61** (HARD WIRED LEVEL CONTROLS)
 DR071-61 (WIRELESS LEVEL CONTROLS)



CONCRETE BALLAST MAY BE REQUIRED
 SEE INSTALLATION INSTRUCTIONS
 FOR DETAILS

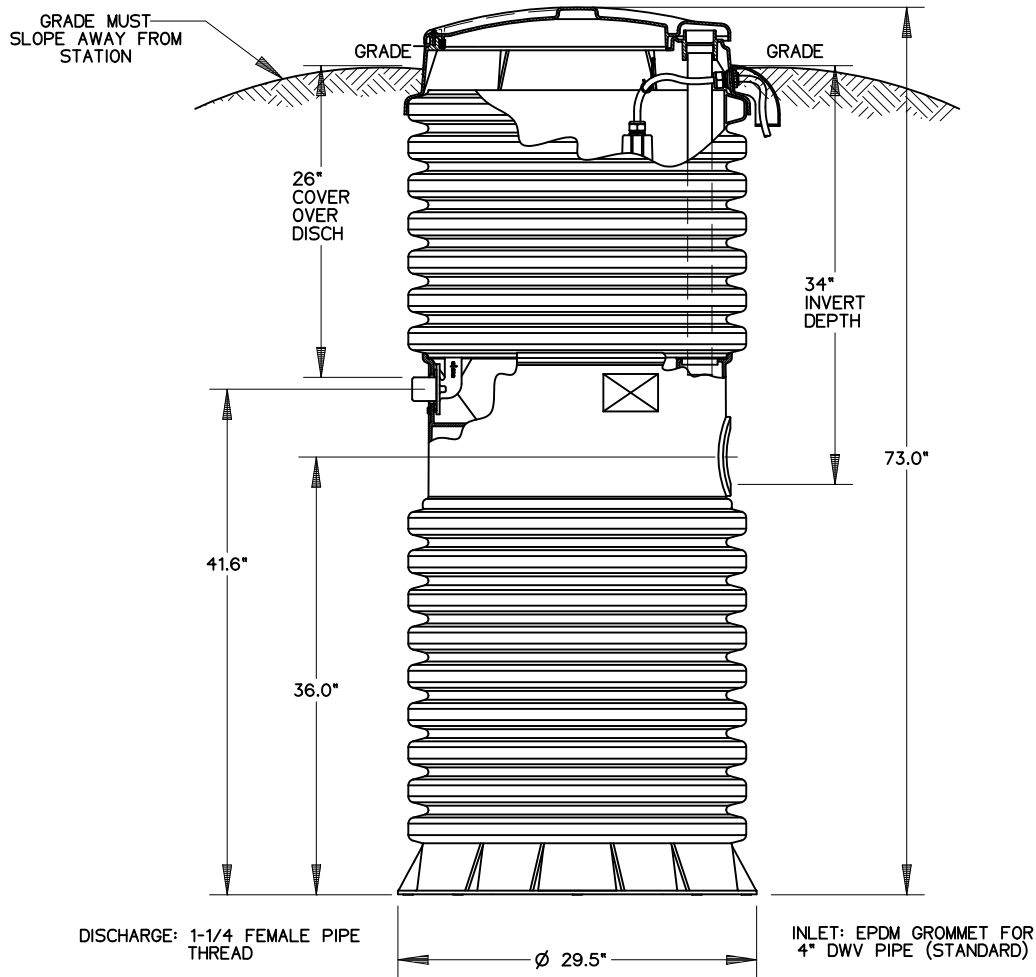
NOTE: DIMENSIONS ARE FOR REF ONLY

AD	DN	01/25/19	D	1/16
DR BY	CHK'D	DATE	ISSUE	SCALE
MODEL DH071-61 / DR071-61				
NA0050P04				

OPTIONS : **DH071-74**
 DR071-74

(HARD WIRED
LEVEL CONTROLS)

(WIRELESS
LEVEL CONTROLS)



CONCRETE BALLAST MAY BE REQUIRED
SEE INSTALLATION INSTRUCTIONS
FOR DETAILS

NOTE: DIMENSIONS ARE FOR REF ONLY

AD	CAH	07/12/07	C	1/16
DR BY	CHK'D	DATE	ISSUE	SCALE

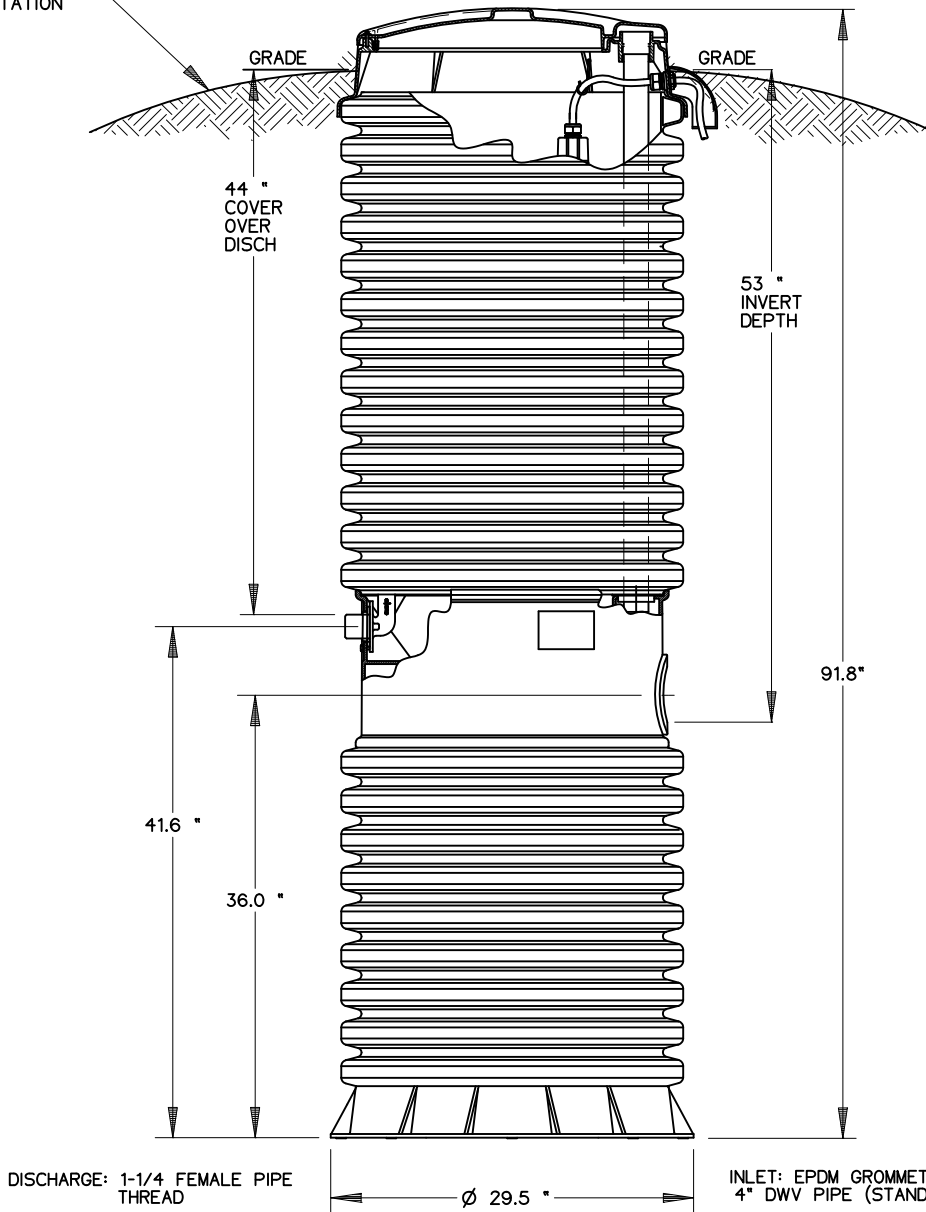


MODEL DH071-74 / DR071-74

NA0050P05

OPTIONS : **DH071-93** (HARD WIRED LEVEL CONTROLS)
 DR071-93 (WIRELESS LEVEL CONTROLS)

GRADE MUST SLOPE AWAY FROM STATION



CONCRETE BALLAST MAY BE REQUIRED
 SEE INSTALLATION INSTRUCTIONS
 FOR DETAILS

NOTE: DIMENSIONS ARE FOR REF ONLY



AD	CAH	07/12/07	B	1/16
DR BY	CHK'D	DATE	ISSUE	SCALE
MODEL DH071-93 / DR071-93				
NA0050P06				

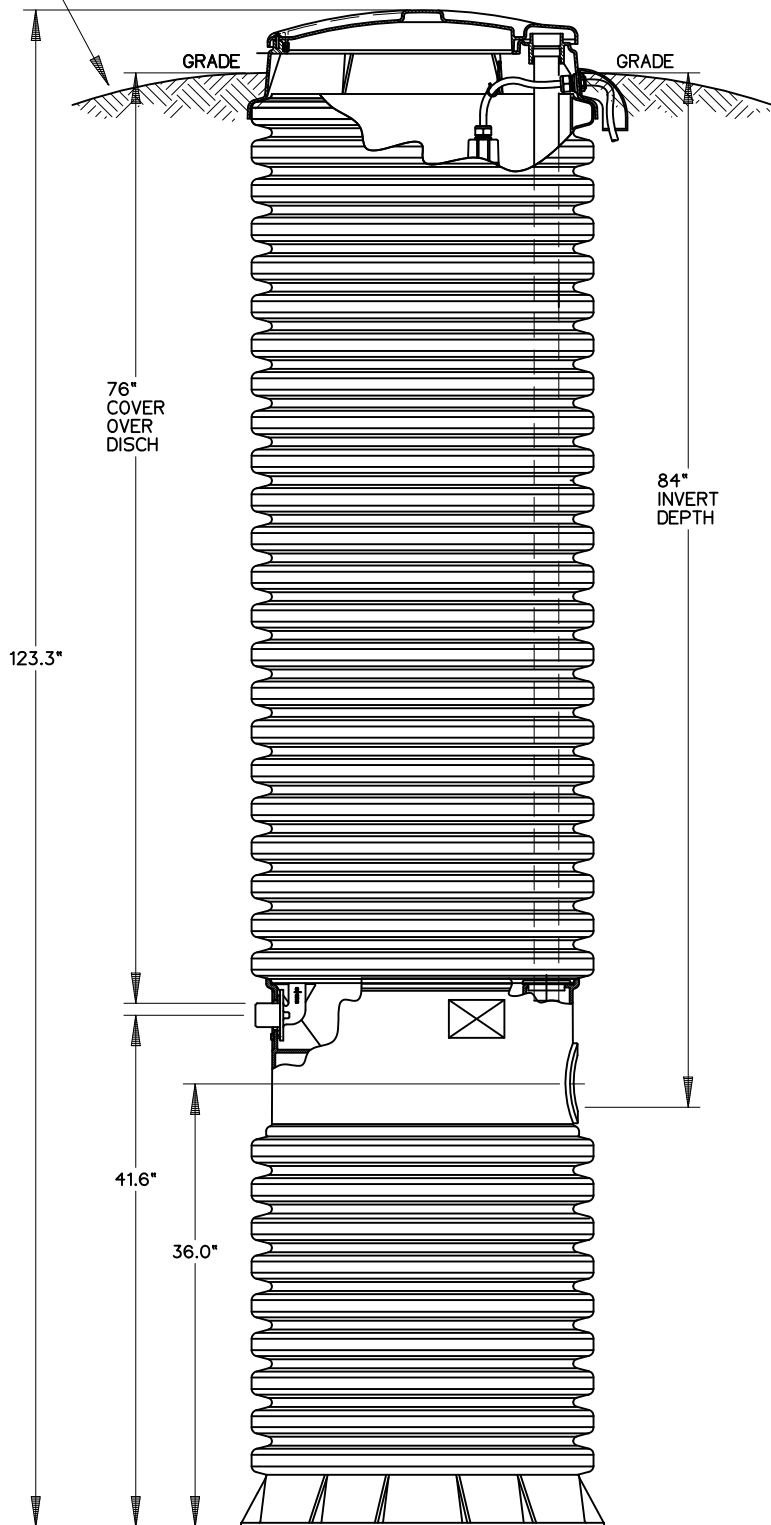
OPTIONS : **DH071-124**

(HARD WIRED
LEVEL CONTROLS)

DR071-124

(WIRELESS
LEVEL CONTROLS)

GRADE MUST SLOPE
AWAY FROM STATION



CONCRETE BALLAST MAY BE REQUIRED
SEE INSTALLATION INSTRUCTIONS
FOR DETAILS

NOTE: DIMENSIONS ARE FOR REF ONLY



AD	CAH	07/13/07	C	1/16
DR BY	CHK'D	DATE	ISSUE	SCALE



MODEL DH071-124 / DR071-124

NA0050P07

DISCHARGE:
1-1/4 FEMALE
PIPE THREAD

Ø 29.5"

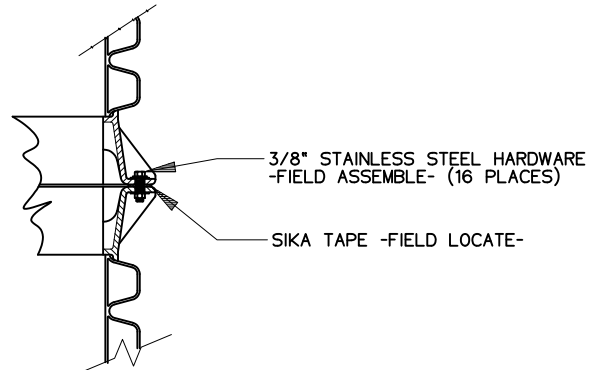
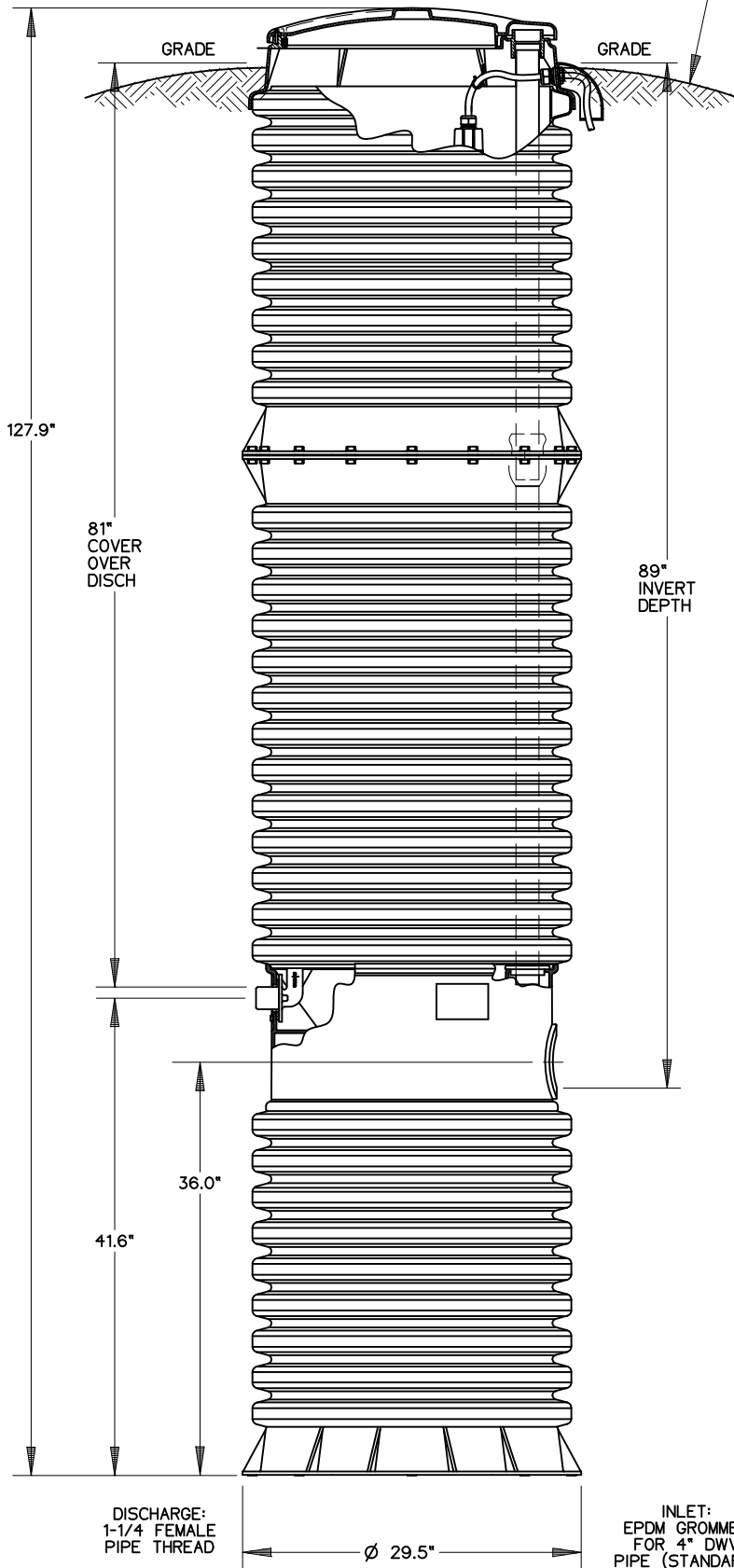
INLET:
EPDM GROMMET
FOR 4" DWV
PIPE (STANDARD)

OPTIONS : **DH071-129**
 DR071-129

(HARD WIRED
LEVEL CONTROLS)

(WIRELESS
LEVEL CONTROLS)

GRADE MUST SLOPE
AWAY FROM STATION



DETAIL, FIELD JOINT

SEE INSTALLATION INSTRUCTIONS
FOR FURTHER DETAILS

CONCRETE BALLAST MAY BE REQUIRED
SEE INSTALLATION INSTRUCTIONS
FOR DETAILS

NOTE: DIMENSIONS ARE FOR REF ONLY



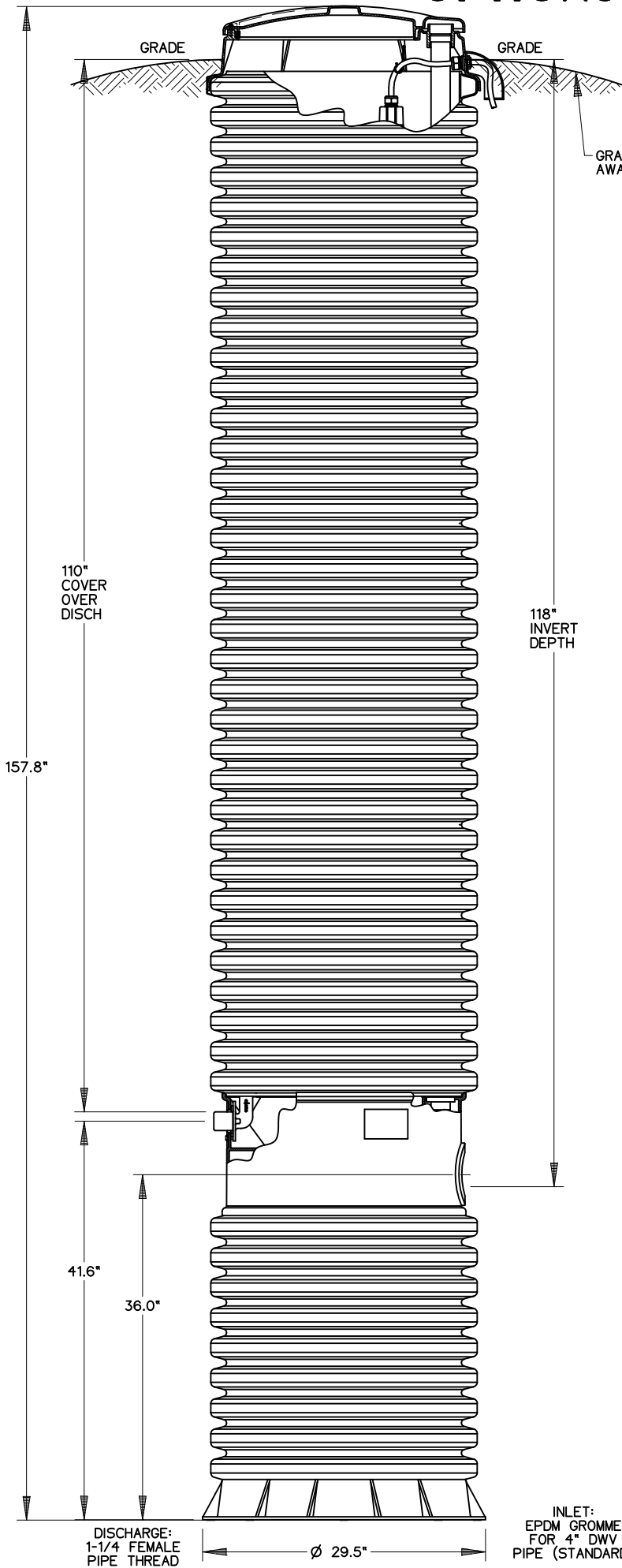
AD	CAH	07/13/07	C	1/16
DR BY	CHK'D	DATE	ISSUE	SCALE



MODEL DH071-129 / DR071-129

NA0050P08

OPTIONS : **DH071-158** (HARD WIRED LEVEL CONTROLS)
 DR071-158 (WIRELESS LEVEL CONTROLS)



CONCRETE BALLAST MAY BE REQUIRED
 SEE INSTALLATION INSTRUCTIONS
 FOR DETAILS

NOTE: DIMENSIONS ARE FOR REF ONLY



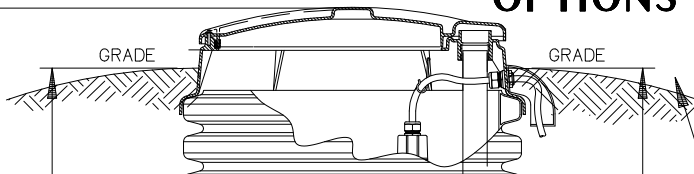
AD	CAH	07/13/07	C	1/16
DR BY	CHK'D	DATE	ISSUE	SCALE



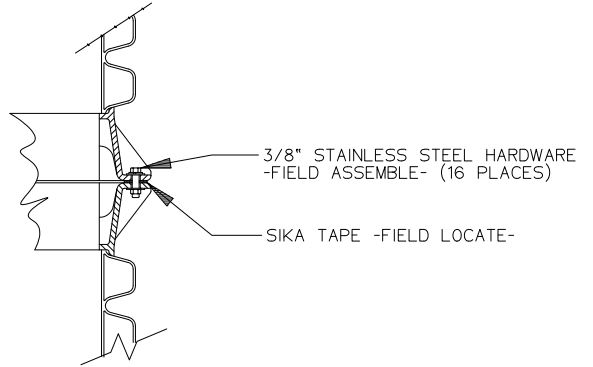
MODEL DH071-158 / DR071-158

NA0050P09

OPTIONS : **DH071-160** (HARD WIRED LEVEL CONTROLS)
 DR071-160 (WIRELESS LEVEL CONTROLS)



GRADE MUST SLOPE AWAY FROM STATION

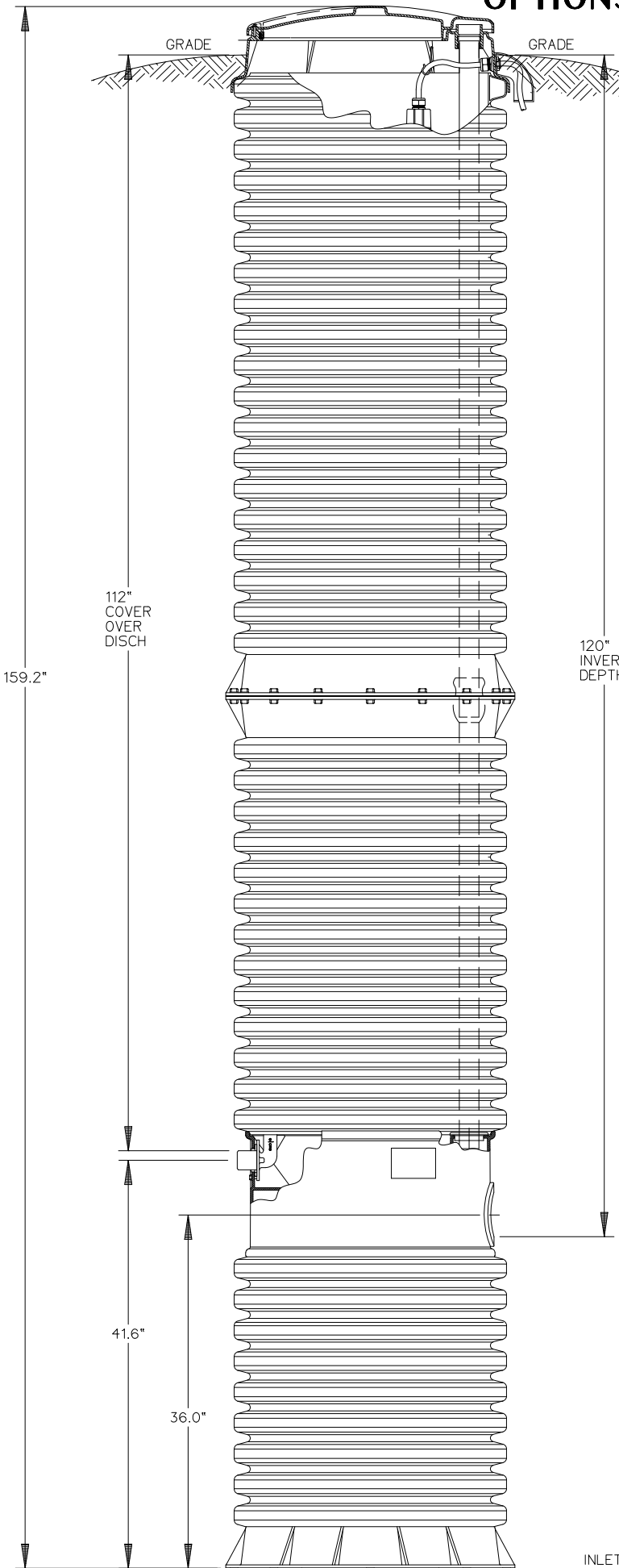


DETAIL, FIELD JOINT

SEE INSTALLATION INSTRUCTIONS FOR FURTHER DETAILS

CONCRETE BALLAST MAY BE REQUIRED SEE INSTALLATION INSTRUCTIONS FOR DETAILS

NOTE: DIMENSIONS ARE FOR REF ONLY



112" COVER OVER DISCH

120" INVERT DEPTH

41.6"

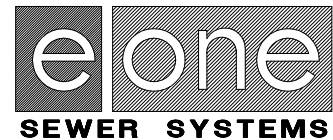
36.0"

DISCHARGE: 1-1/4 FEMALE PIPE THREAD

Ø 29.5"

INLET: EPDM GROMMET FOR 4" DWV PIPE (STANDARD)

AD	CAH	07/13/07	C	1/16
DR BY	CHK'D	DATE	ISSUE	SCALE



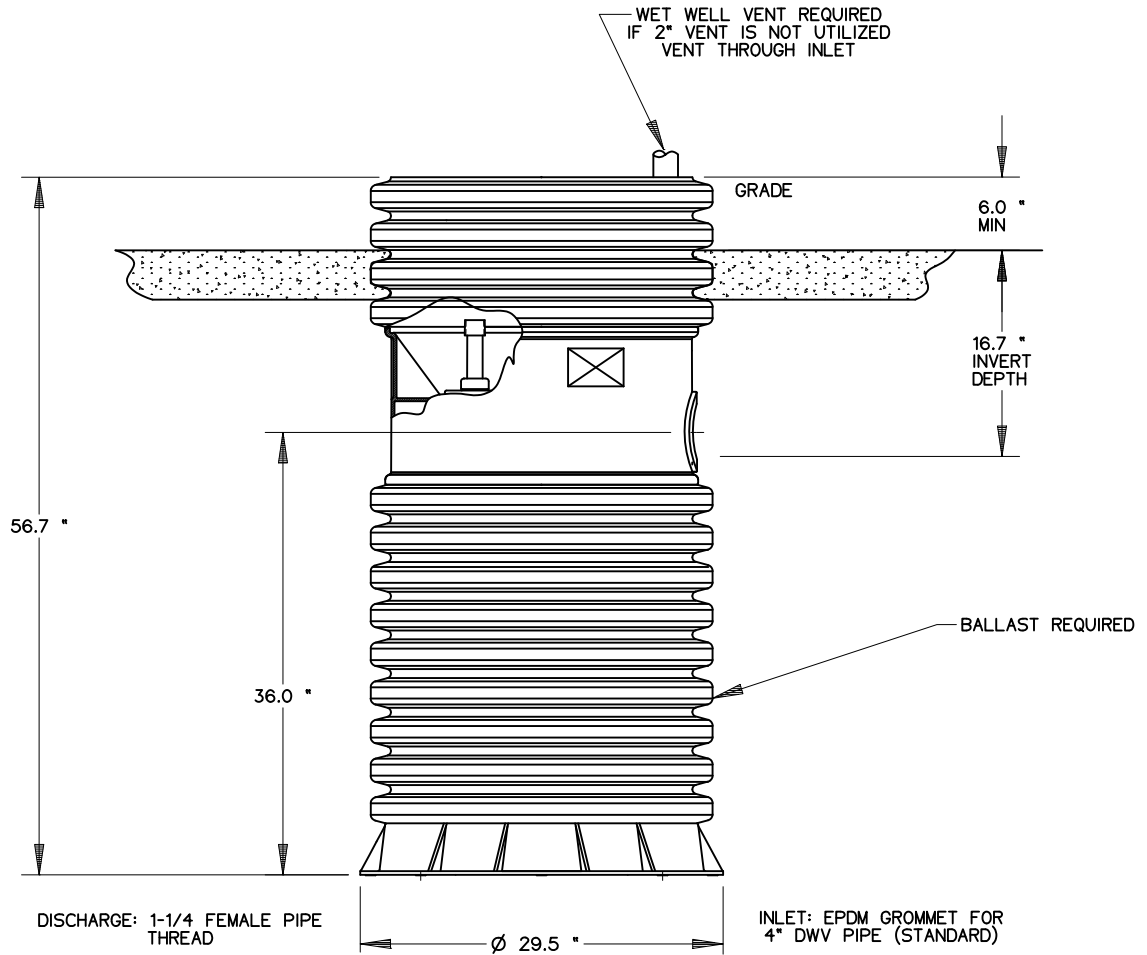
MODEL DH071-160 / DR071-160

NA0050P10

DH071-57

BUILDERS MODEL

STRAIGHT DISCHARGE



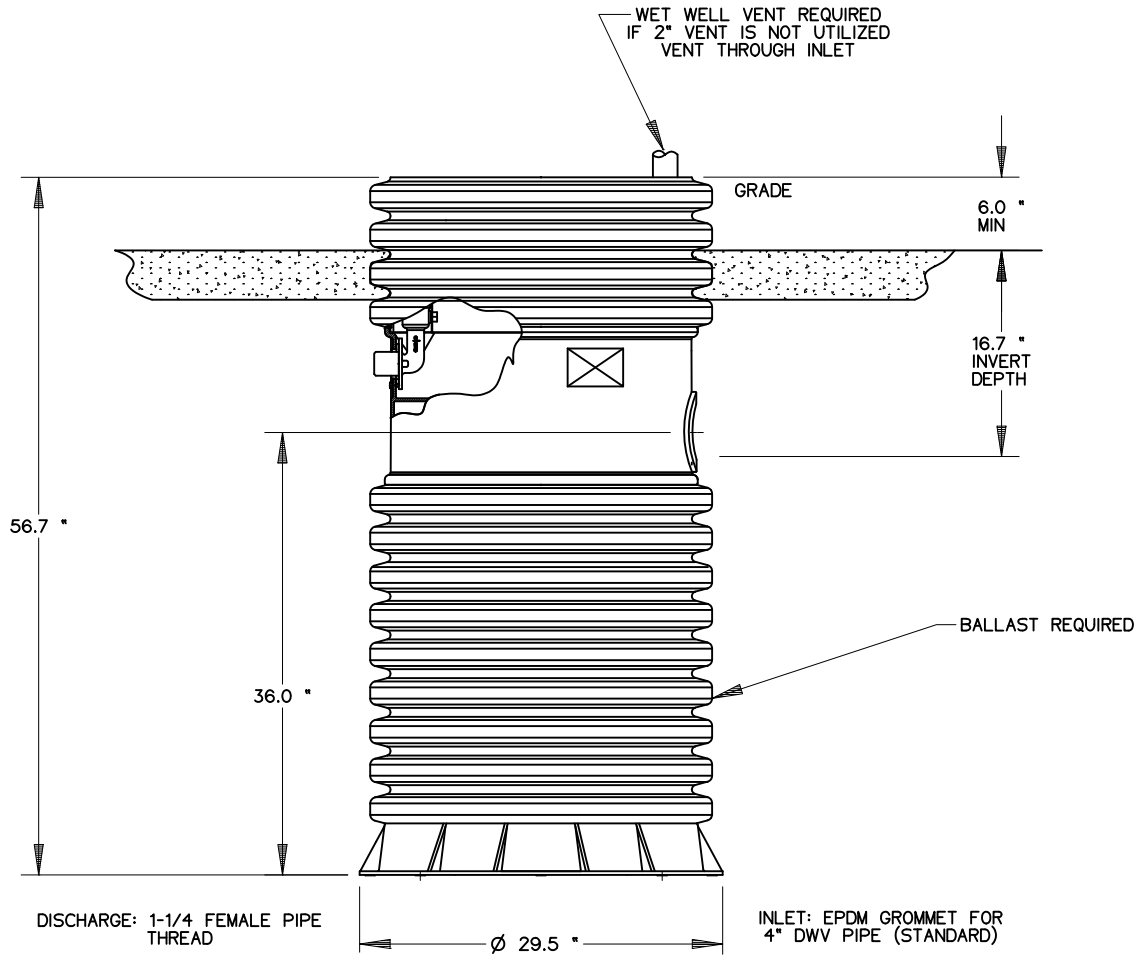
NOTE: DIMENSIONS ARE FOR REF ONLY

AD	CAH	04/26/07	B	1/16
DR BY	CHK'D	DATE	ISSUE	SCALE
MODEL DH071-57 BUILDERS				
NA0050P11				

DH071-57

BUILDERS MODEL

DISCHARGE VALVE



NOTE: DIMENSIONS ARE FOR REF ONLY

AD	CAH	04/26/07	B	1/16
DR BY	CHK'D	DATE	ISSUE	SCALE
MODEL DH071-57 BUILDERS				
NA0050P12				